

IS 2180-2

Anthracite
 EAN 4007841 057664
 Article number 057664



infrared sensor
180°

1000 W

1000 W max.



max. Ø 12 m



IP54



2 - 2000 lux



5 sec - 15 min



Ideal 2 m



energy saving

5 years

manufacturer's
warranty steinel-
professional.de/
garantie



CE

Function description

Attractive, clever, efficient. Infrared motion detector IS 2180-2 for outdoors, ideal for building fronts and properties, medium-sized business and outdoor spaces, ideal installation height 2 m, 180° angle of coverage, reach. 12 m max. or 5 m max. (tangential), selectable time and twilight threshold, manual override, for outdoor and indoor installation .

Technical specifications

Dimensions (L x W x H)	55 x 78 x 120 mm	LED lamps > 8 W	350 W
With motion detector	Yes	Capacitive load in µF	132 µF
Manufacturer's Warranty	5 years	Power consumption	0,5 W
Settings via	Potentiometers	Technology, sensors	passive infrared, Light sensor
With remote control	No	Mounting height	1,8 – 4 m
Version	Anthracite	Mounting height max.	4,00 m
PU1, EAN	4007841057664	Optimum mounting height	2 m
Type	Motion detectors	Detection angle	180 °
Application, place	Outdoors, Indoors	Angle of aperture	90 °
Application, room	outdoors, front door, all round the building, terrace / balcony, courtyard & driveway	Sneak-by guard	Yes
Colour	Anthracite	Capability of masking out individual segments	Yes
Colour, RAL	7016	Electronic scalability	No
Includes corner wall mount	No	Mechanical scalability	No
Installation site	wall, corner	Reach, radial	r = 1.5 m (4 m ²) / r = 3 m (14 m ²)
Installation	Surface wiring, Wall, corner	Reach, tangential	r = 5 m (39 m ²) / r = 12 m (226 m ²)
		Switching zones	508 switching zones

IS 2180-2

Anthracite
EAN 4007841 057664
Article number 057664



Technical specifications

IP-rating	IP54
Ambient temperature	from -20 up to 50 °C
Material	Plastic
Mains power supply	230 V / 50 Hz
Switching output 1, resistive	1000 W
Switching output 1, floating	No
Fluorescent lamps, electronic ballast	1000 W
Fluorescent lamps, uncorrected	500 VA
Fluorescent lamps, series-corrected	900 VA
Fluorescent lamps, parallel-corrected	500 VA
Switching output 1, low-voltage halogen lamps	1000 VA
LED lamps < 2 W	100 W
LED lamps > 2 W < 8 W	175 W

Cover material	shrouds
Twilight setting	2 – 2000 lx
Time setting	5 s – 15 Min.
Basic light level function	No
Main light adjustable	No
Twilight setting TEACH	No
Constant-lighting control	No
Interconnection	Yes
Type of interconnection	Master/master
Interconnection via	Cable
Product category	Motion detector

Accessories

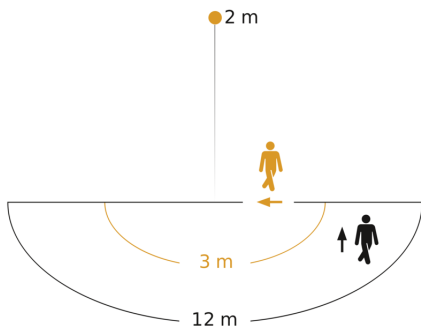
EAN 4007841 085148

Corner wall mount for IS 180-2, IS 2180-2 and IS 2180 ECO

IS 2180-2

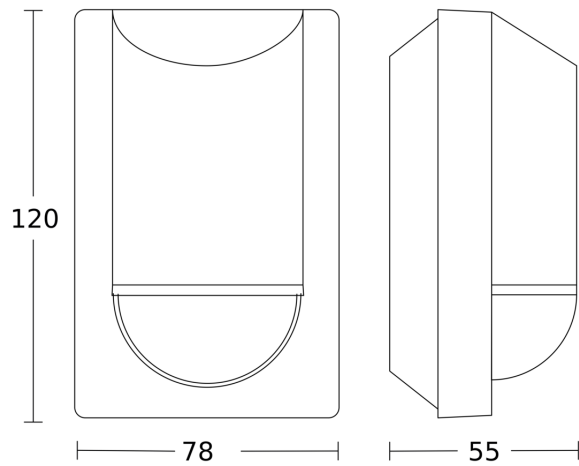
Anthracite
 EAN 4007841 057664
 Article number 057664

Detection Zone

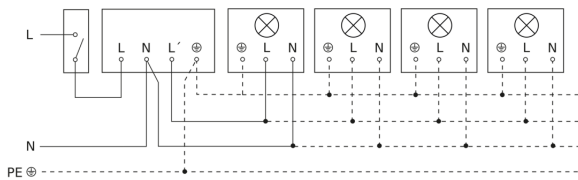


Possible mounting height: 1,80 m - 4,00 m
 Orange: radial
 Black: tangential

Dimension Drawing



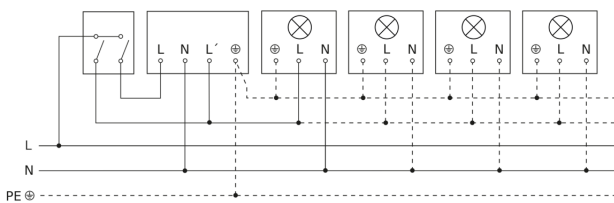
Light without neutral conductor



Light with neutral conductor



Connection using two-circuit switch for manual and automatic operation



Connection of 4-fold push-button coupler to DALI2 APC

